

RDS303-0
SS 60" WATER MUSHROOM

RAINDECK
Ph. 888.445.RAIN
Fax. 866.869.3942
info@raindeck.com

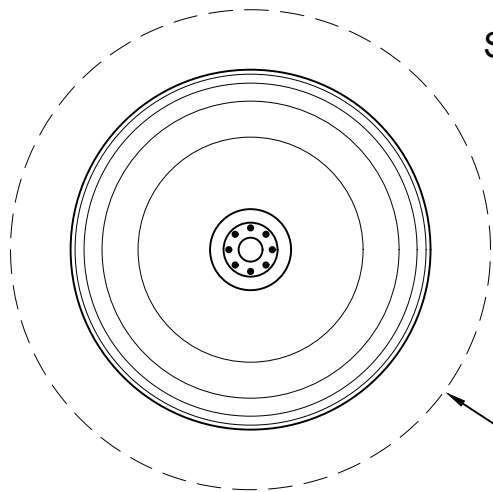
THIS DRAWING IS AN INSTRUMENT OF SERVICE FOR THE PROJECT AND SITE FOR WHICH IT WAS PREPARED AND SHALL NOT BE USED UNLESS PROPERLY SEALED AND APPROVED. PUBLICATION OF THIS DRAWING IN ANY MANNER WITHOUT THE PERMISSION OF RAIN DECK, WHERE A PERMITTED, SHALL BE CONSIDERED BY SAID CONTRACTOR EXCEPT BY AGREEMENT WITH SAME CONTRACTOR.

REV.	DATE	BY	DESCRIPTION
△			
△			
△			
△			
△			

RAIN DECK
SS 60" WATER MUSHROOM

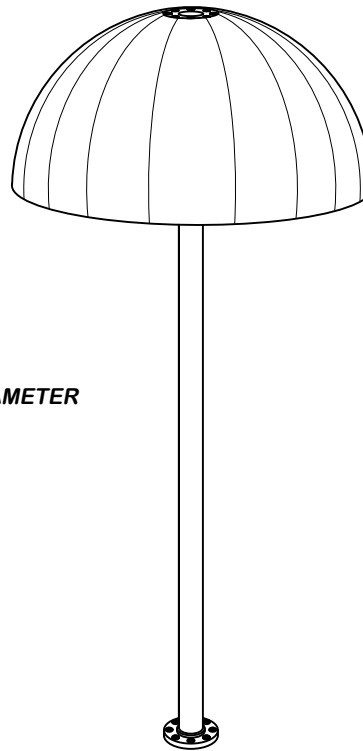
SEAL
DATE

DRAWN BY	REVIEWED BY
RS	RV
DATE	MAY 2017
SHEET	
MFR#	RDS303-0

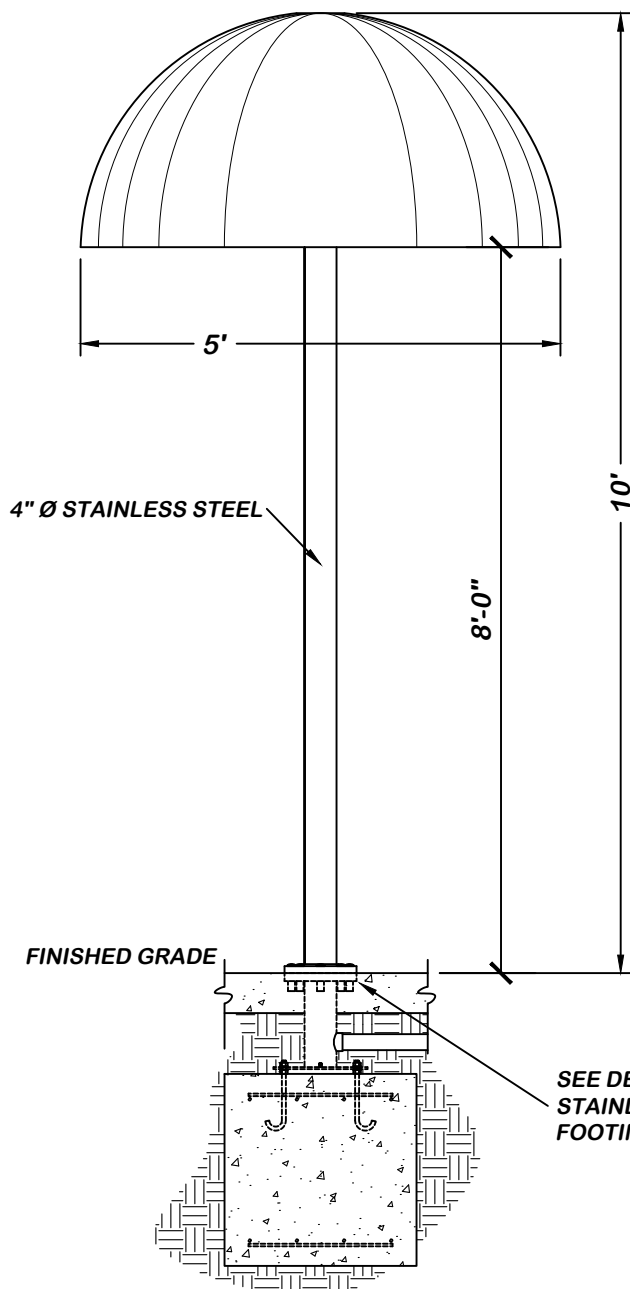


TOP VIEW

WET AREA ±9' DIAMETER



SCALE
N.T.S.



FRONT VIEW

SPECIFICATIONS:

- MATERIAL: STAINLESS STEEL
- SURFACE FINISH: POWDER COAT
- WATER PRESSURE: MIN. 5 PSI
- WATER CONSUMPTION: 10-60 GPM

FIBERGLASS CANOPY
AVAILABLE IN 40" AND 60" DIA.

SS 60" WATER
MUSHROOM
RDS303-0

SEE DETAIL RAIN DECK
STAINLESS STEEL
FOOTING BASE RDS399-0

SCALE
1/2"=1'-0"